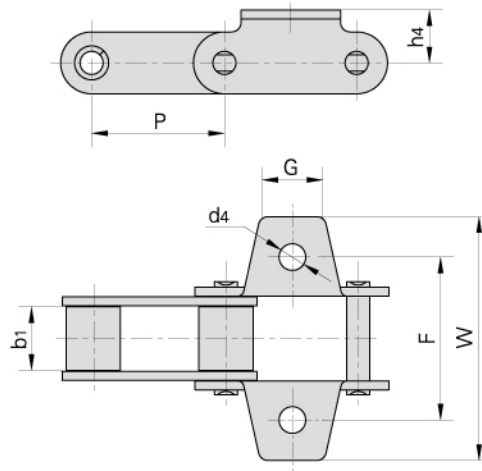


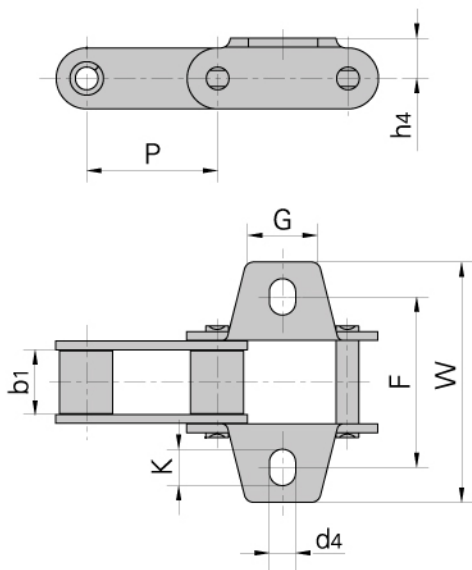
## C型钢制农机链附件 C type steel agricultural chain with attachments



东华链号 Donghua Chain No.	P	b1	G	F	W	h4	d4
	mm	mm	mm	mm	mm	mm	mm
38.4VK1	38.4	18.00	22.00	57.5	82.00	15.4	9.00
38.4RK1F1	38.4	19.05	22.00	58.0	83.00	15.4	9.00
38.4VF3K1	38.4	18.00	20.00	58.0	79.00	15.4	9.00
38.4RK1F2	38.4	19.05	22.00	57.5	82.00	16.0	9.00
CA550F2	41.4	19.50	22.00	50.8	72.00	14.7	8.50
CA550K1F1	41.4	19.81	20.00	54.0	76.20	16.5	8.30
CA550K1F2	41.4	19.81	20.00	50.8	76.20	16.5	8.30
CA550K25	41.4	19.81	22.23	50.8	71.40	12.7	8.70
CA557K1	41.4	20.24	22.00	50.8	72.00	15.9	8.70
CA550VK1	41.4	19.05	27.00	54.0	75.54	16.5	8.50
CA550VK1F1	41.4	19.05	27.00	50.8	75.54	16.5	8.50
CA550F4K19	41.4	20.24	22.23	50.8	77.80	12.7	6.75
CA550K29F1	41.4	19.81	22.20	50.8	75.40	12.7	10.30
CA550AK29M	41.4	19.81	26.20	50.8	75.40	16.5	10.24
CA550K1F7	41.4	19.81	26.20	50.8	75.40	16.5	8.40
CA550A29	41.4	19.81	22.23	50.8	71.40	12.7	9.92
CA550VF2K1	41.4	19.05	27.18	51.0	75.54	16.5	8.33
CA550F5AK29M	41.4	20.24	26.20	50.8	75.40	16.5	10.24
CA550F5K29F1	41.4	20.24	22.00	50.8	75.40	12.7	10.30
CA550F5K1	41.4	20.24	22.20	54.0	71.50	12.7	8.50
CA557K1F2	41.4	20.24	22.00	50.8	72.00	15.9	8.30
38.4RK1F3	38.4	19.05	20.00	58.0	84.40	15.5	8.50
38.4RK1F4	38.4	19.05	20.00	57.0	75.00	16.0	8.50
38.4RK1F7	38.4	19.05	22.00	57.5	82.00	16.0	10.50
38.4VK1F9	38.4	18.00	22.00	56.8	82.00	16.3	8.70
38.4VK1F6	38.4	18.00	22.00	56.8	74.80	16.3	8.50
38.4VK1F7	38.4	18.00	22.00	57.5	82.00	15.4	8.40

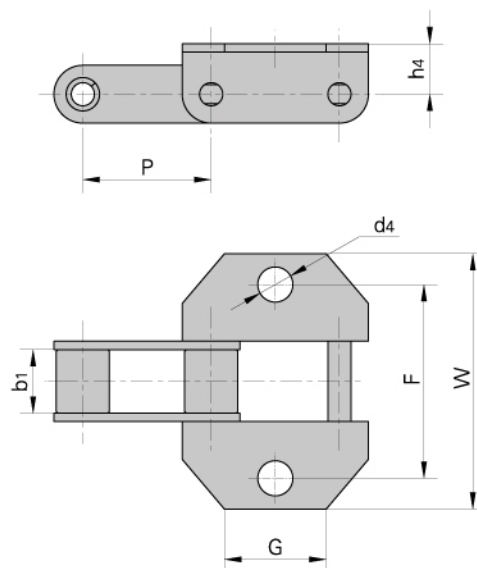
# C型钢制农机链附件

## C type steel agricultural chain with attachments



东华链号 Donghua Chain No.	P	b1	G	F	W	h4	d4	K
	mm	mm	mm	mm	mm	mm	mm	mm
CA550K1	41.4	19.81	22.00	52.5	76.2	12.7	8.3	10.0
CA550K1F3	41.4	19.81	22.00	54.0	76.2	12.7	8.3	11.5
CA550F4K19F1	41.4	20.24	22.23	52.5	76.2	12.7	8.3	10.0
CA550K1F9	41.4	19.81	22.00	50.8	76.2	12.7	8.3	11.7
CA555K1	41.4	12.70	22.00	52.5	76.2	12.7	8.3	10.0

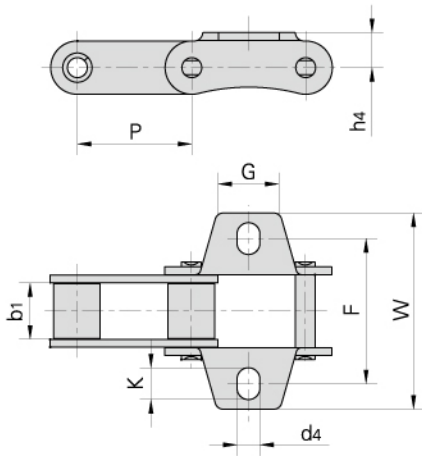
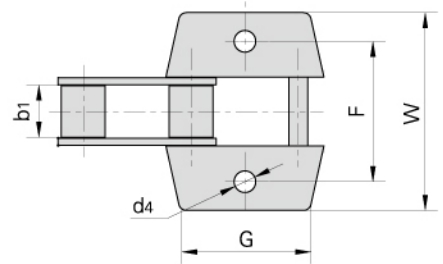
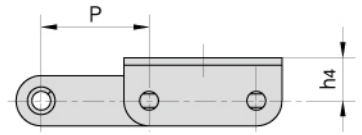
东华链号 Donghua Chain No.	P	b1	G	F	W	h4	d4
	mm	mm	mm	mm	mm	mm	mm
38.4RK1	38.4	19.05	29.1	58.0	76.5	15.1	10.5
38.4VK1F1	38.4	18.00	29.1	57.0	75.0	15.1	8.5
38.4VBK1	38.4	19.05	29.0	58.0	87.0	14.0	10.5
38.4VBF3	38.4	19.05	40.0	57.0	86.0	16.0	10.3
38.4VK1F2	38.4	18.00	29.1	57.0	75.0	15.1	10.5
38.4VK1F3	38.4	18.00	29.1	57.0	75.0	15.1	9.0
CA550HK1	41.4	20.00	22.6	54.0	71.5	12.7	8.5
CA550VK18	41.4	19.05	22.6	54.0	71.6	12.7	8.5
CA550K18	41.4	19.81	22.6	54.0	71.6	12.7	8.5
38.4RK1F6	38.4	19.05	40.0	57.0	84.0	16.5	10.3
38.4VK1F10	38.4	18.00	39.0	58.4	82.4	14.5	10.5
38.4VBK1F3	38.4	19.05	39.0	57.0	80.0	16.0	10.5



# C型钢制农机链附件

## C type steel agricultural chain with attachments

东华链号 Donghua Chain No.	P	b <sub>1</sub>	G	F	W	h <sub>4</sub>	d <sub>4</sub>
	mm	mm	mm	mm	mm	mm	mm
CA550K1F4	41.40	19.81	48.5	54.0	76.20	16.5	8.5
CA550VK1F3	41.40	19.05	56.0	54.0	75.54	16.5	8.5
CA550K1F6	41.40	19.81	48.5	54.0	76.20	16.5	10.5
CA550K18	41.40	19.81	22.6	54.0	71.60	12.7	8.5
CA620A1F1	42.01	24.51	63.5	67.7	91.70	16.1	10.5
38.4VK1F8	38.40	18.00	40.0	57.0	86.00	16.0	10.5
38.4VBF5	38.40	19.05	40.0	57.0	86.00	14.0	10.5
38.4VBF6	38.40	19.05	20.0	57.0	75.00	16.0	8.6
38.4VBF7	38.40	19.05	40.0	58.5	86.60	14.0	10.5



东华链号 Donghua Chain No.	P	b <sub>1</sub>	G	F	W	h <sub>4</sub>	d <sub>4</sub>	K
	mm	mm	mm	mm	mm	mm	mm	mm
CA550K19	41.4	19.81	22.0	50.8	71.0	12.7	8.3	11.0
CA550K19F1	41.4	19.81	22.0	54.0	71.0	12.7	8.3	11.0
CA550K19F2	41.4	19.81	25.4	50.8	71.0	12.7	8.4	11.5

